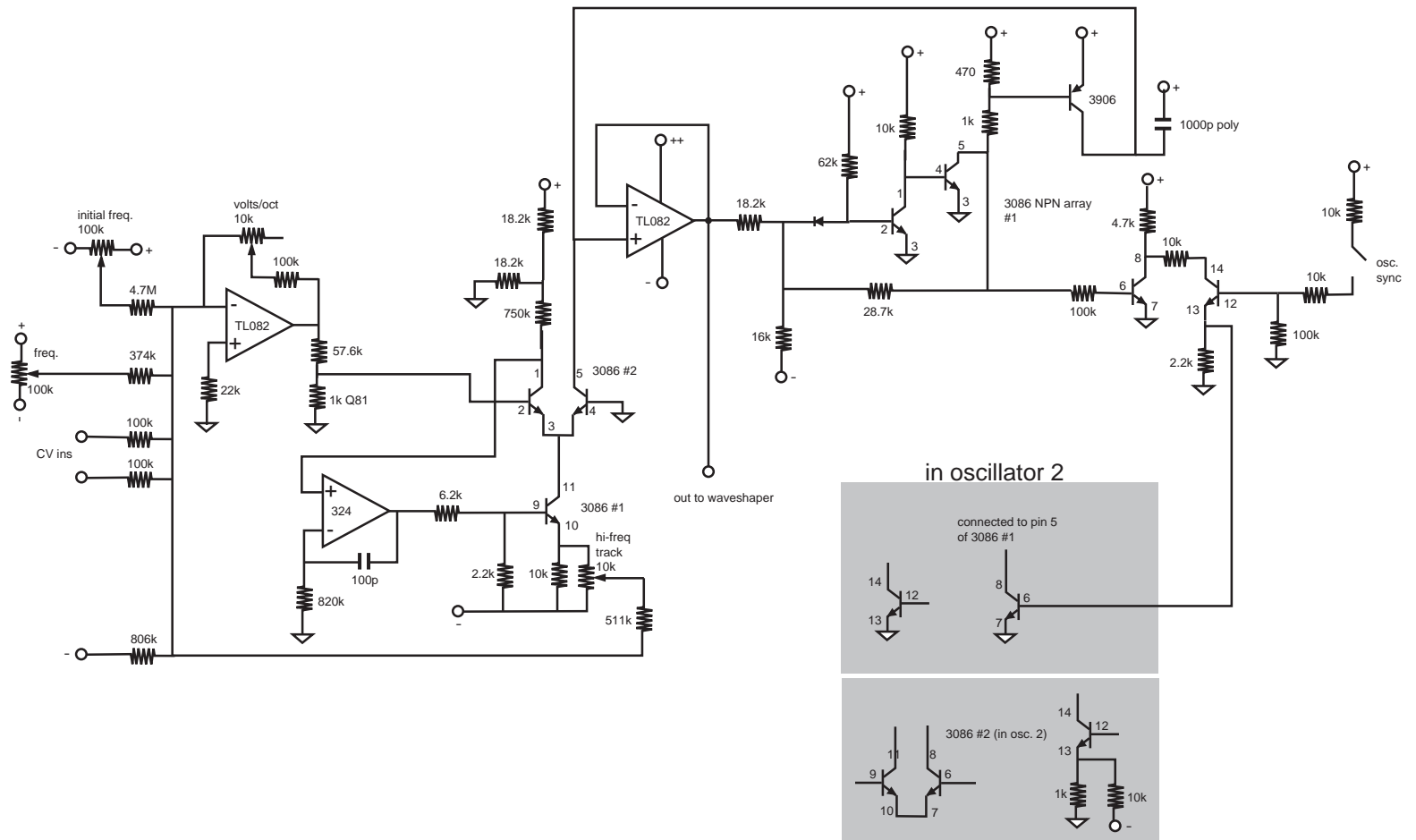


RSF KOBOL EXPANDER VCO CORE - redrawn by mark verbos verbos@simple-answer.com October 21, 2000



NOTES: all power is +/- 14.5 volts except TL082 powered by +18(++)/-14.5

I take no responsibility for parts being the wrong values as the original schematic was illegible

there is a 3086 #1 in each oscillator, 3086 #2 is shared by oscillator 1 and 2

the exponential converter was stolen, by me, from the Oberheim SEM, the rest of the design was stolen by Reuben and Serge Fernandez.